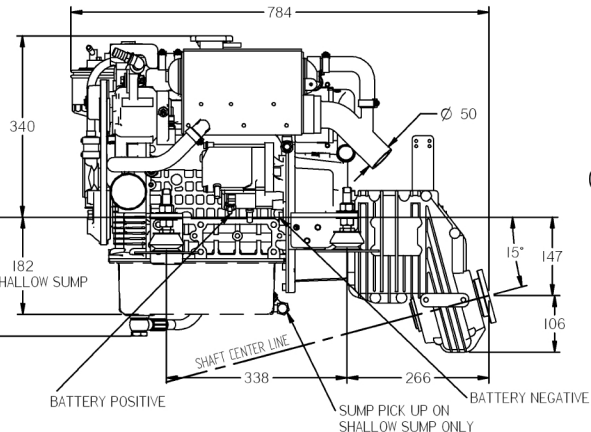
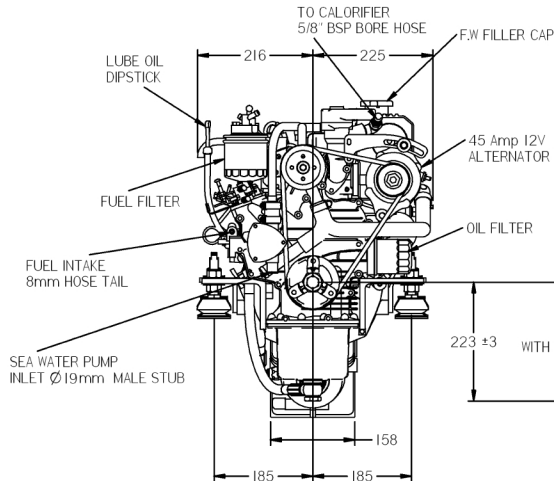
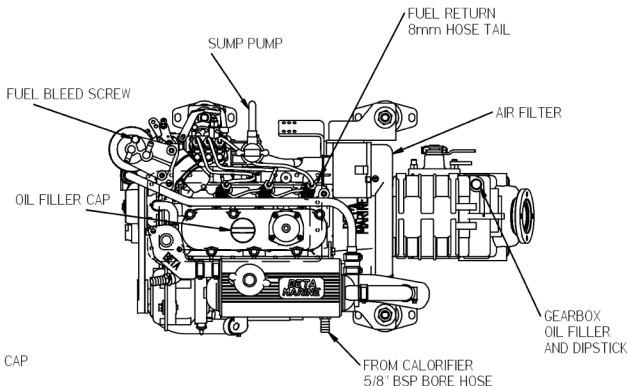
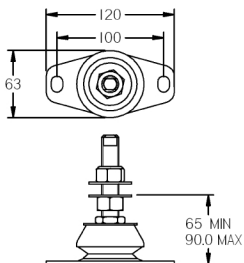
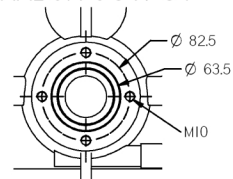


FLEXIBLE MOUNT DETAILS



GEARBOX OUTPUT



| REV | DESCRIPTION | DATE | APP'D | DRAWN |
|-----|-------------|------|-------|-------|
| 01 | | | | |
| | | | | |
| | | | | |
| | | | | |
| | | | | |
| | | | | |
| | | | | |
| | | | | |
| | | | | |

NOTES: NO FLEXIBLE COUPLING SUPPLIED
SUGGEST CENTER TYPE 16

TITLE: BETA 25 HEAT EXCHANGE
ZF15MIV GEARBOX

DIMENSIONS IN MM (INCH) DO NOT SCALE

PART FILE NAME: 100-08483 BD902 HE ZF15MIV.asm

BETA MARINE

TEL: (01452) 723492 FAX: (01452) 729916

BETA MARINE LTD.
DAVY WAY
WATERWELLS,
QUEDSELEY,
GLOUCESTER, GL2 3AD, UK

DRAWN BY: TW SIZE A4 DWG NO: 100-08483 REV 00

CHECKED BY: LT SCALE NTS PAGE 1 of 1 DATE 04/10/2008