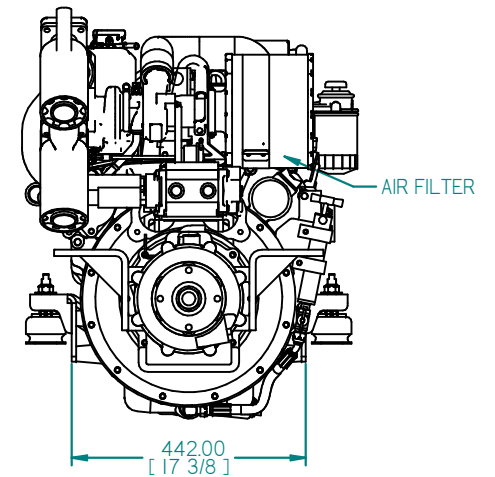
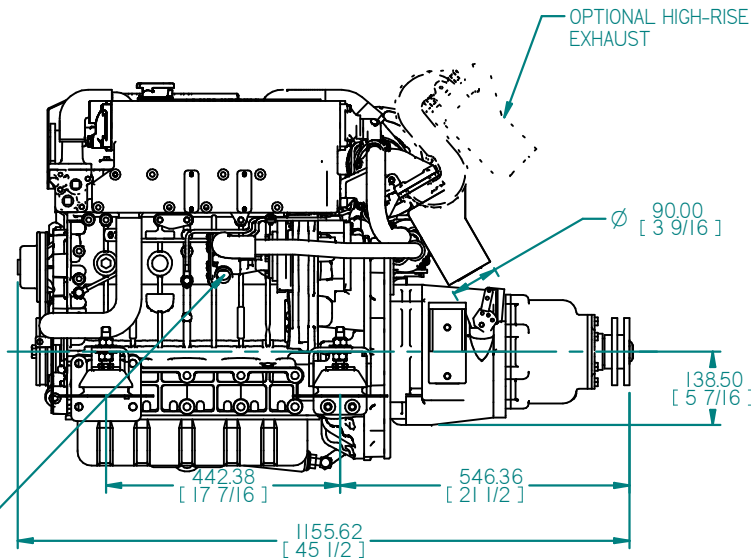
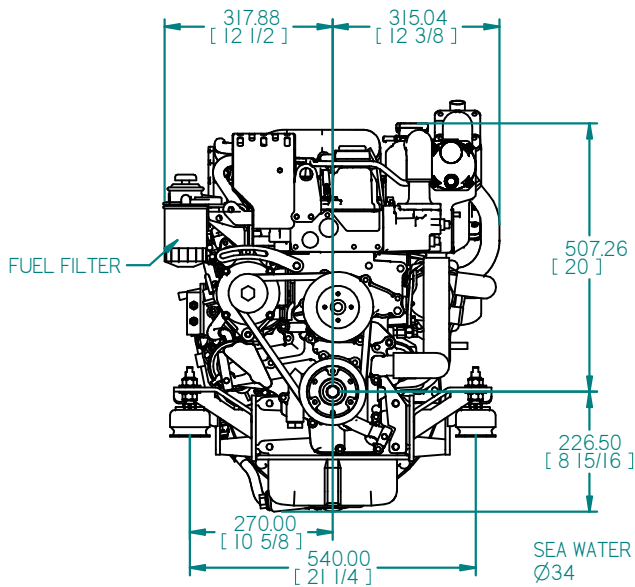
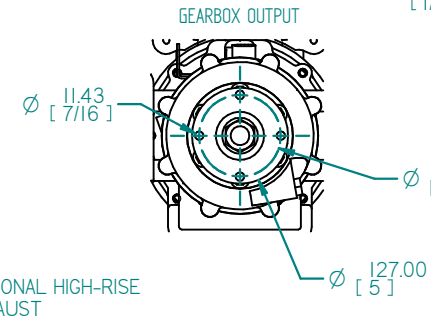
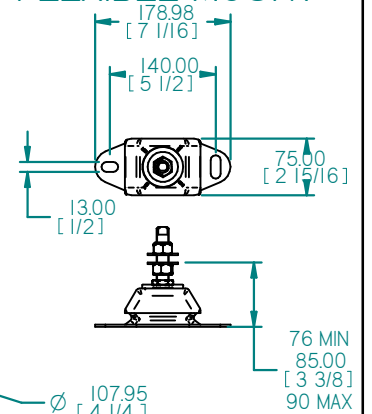


**FLEXIBLE MOUNT**



REV	DESCRIPTION	DATE	APP'D	DRAWN	MATL:	FINISH:	UNTOLERANCED DIMS: ± 0.25	TITLE:
01								<b>BETA 85HE 72C (REDUCTION) GEARBOX</b>
					NOTES:			
					DIMENSIONS IN MM (INCH) DO NOT SCALE			PART FILE NAME: 100-10634 B85HE 72C GEARBOX.dft
					SCALE: NTS	DATE CREATED: 13/07/2016		
					<b>BETA MARINE</b>		BETA MARINE LTD, DAVY WAY, WATERWELLS, QUEDGELEY, GLOUCESTER. GL2 2AD, UK	DRAWN BY: JLT SIZE A4 DWG NO: 100-10634
					TEL: (01452) 723492 FAX: (01452) 729916		CHECKED BY: TW	REV 00 PAGE 1 of 1